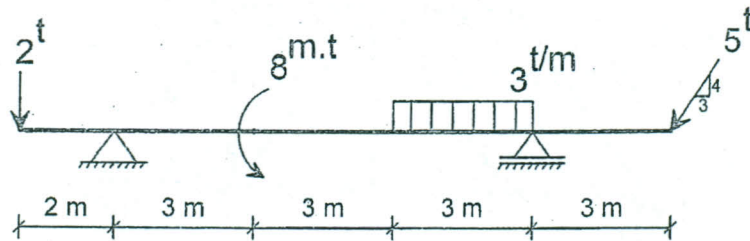




Question (1)

(10 points)

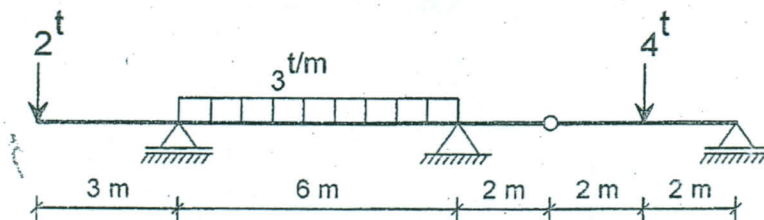
For the shown beam, find the reactions at the supports and draw N.F.D., S.F.D., B.M.D.



Question (2)

(15 points)

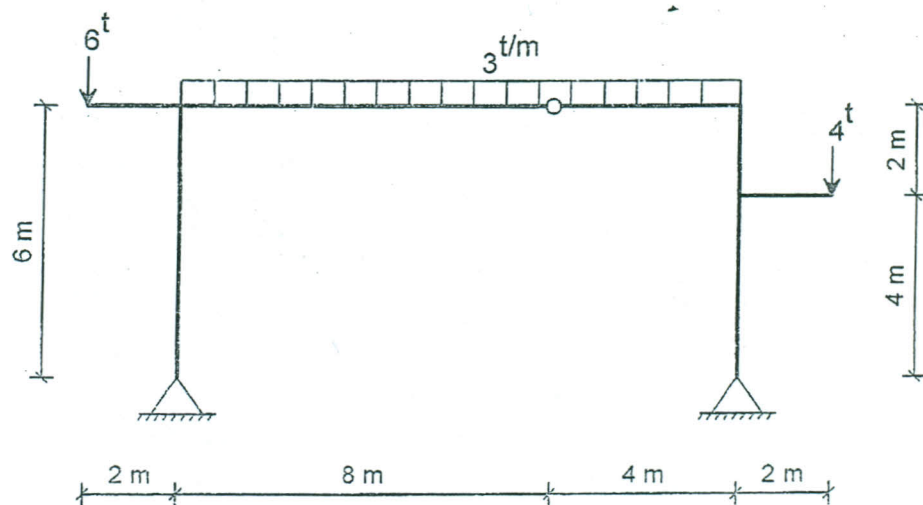
For the shown beam, draw S.F.D., B.M.D.



Question (3)

(20 points)

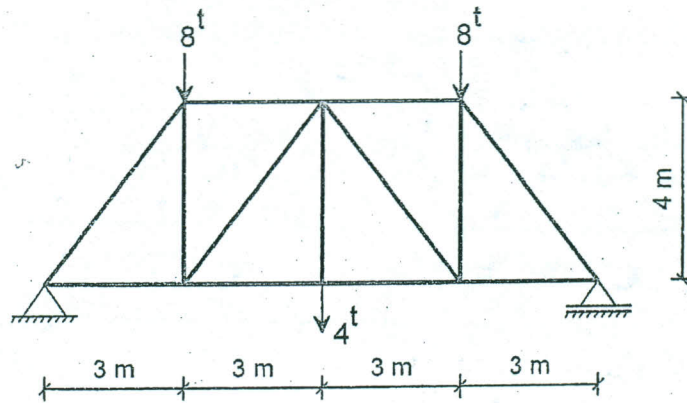
For the shown frame, draw N.F.D., S.F.D., B.M.D.



Question (4)

(15 points)

For the shown truss, draw the stress diagram to find the forces in all members.



Question (5)

(15 points)

For the shown cross-section, draw the normal stress distribution

